

WC150 CAPPER

Silgan Equipment's newest in-line capper continues our legacy of excellent performance and reliability. This all stainless steel work horse delivers in-line factory speeds with a compact footprint. The WC150 is a great value for a growing operation. It requires minimal maintenance over its long and dependable life.

FEATURES:

Capping Speeds Up To 150 CPM (Caps Per Minute)

Steam Vacuum Technology Provides a Tight Hermetic Seal

Synchronized Drives For Machine Head and Conveyor

Divided Front Cover For Easy Access



The world's most trusted brands trust Silgan to be their Partner for Innovation



WHY CHOOSE THE SILGAN WC150?

Easy to Use: Easy to setup, adjust, & control

Durable: All stainless steel construction for easy cleaning and maintenance

Compact: Takes up less floor space, with a 5'-5" base and a 9' standard conveyor

Product Integrity: Vapor vacuum sealing enhances food quality and safety

No Hassle: Fully supported by Silgan Equipment capping experts

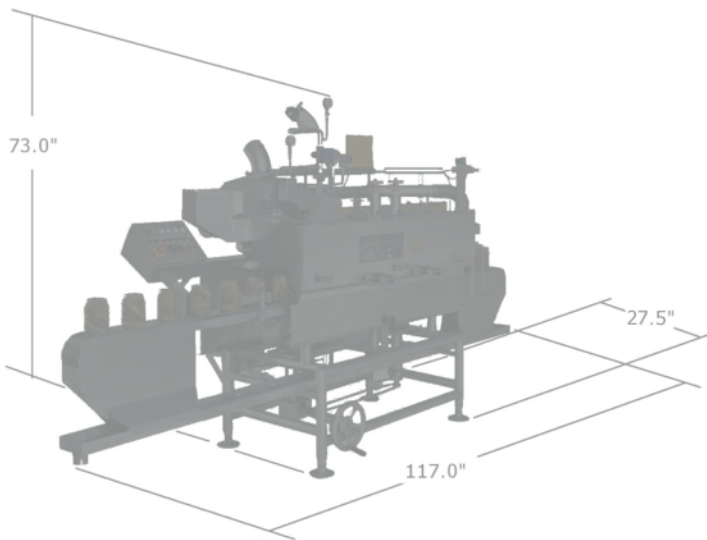
Want To Know More?



sales@silganequipment.com

www.silganequipment.com | 847.336.0552 | 1301 W. DUGDALE RD, WAUKEGAN, IL 60085

WC150 CAPPER TECHNICAL SPECIFICATIONS



Model	WC150
Closure Size	Ø30mm Through Ø110mm
Closure Types	Regular Twist-Off (RTO) Deep Twist Off (DWB) Press On (PT)
Jar Height	2.0" Through 11.0"
Jar Diameter	1.5" Through 5.5"
Controls	115 VAC
Steam Requirements	80 PSI -R 3/4"
Machine Weight	2,000 lbs. Approximation
Water Requirements	1/4" Pipe
Electrical Requirements	480VAC 3 Phase or 230VAC 3 Phase Control Voltage 24VDC
Environment Temp.	50° ~ 100°F
Space Required	Height : 73 Inches Width : 117 Inches Depth : 27.5 Inches

Choose From These Great Options:

230 or 480 Volt Electrical Options	Hopper
Extended Input and Exit Conveyors	Risers for line Height
Exit Package Jam Sensor	Missing Cap Detector
Low Pressure or Superheated Steam Controls	Steam Unit

Why Choose Silgan Equipment?

- Silgan's expertise and leadership has served our customers for over 80 years with closure and equipment solutions.
- Today, Silgan Equipment business partners exceed their standards for quality and support world-wide. Many of the top food and beverage processors rely on us for their equipment needs.
- With our 24/7 support line and full-service technicians located throughout the continental US, we stand by our products and help you get the best out of your operation.
- Silgan Equipment is a proud member of the Silgan family of companies. We deliver the best-in-class service you deserve. We know your packaging and can help you grow.

LET US HELP TAKE YOUR BUSINESS TO THE NEXT LEVEL!

★ Capping

Material Handling

Quality Inspection

Rebuild & Engineering Services



Take Advantage of Silgan's Large U.S. Service Network

To start improving your productivity, call: 847.336.0552