

## 2D Series Profiling Dud Detectors

The 2D Profiling Dud Detector is designed with your quality efforts in mind, providing the most reliable way to inspect Lug, PT or composite cap-sealed packages for cap application and proper vacuum levels. Offering automation and improved sensitivity at high speeds, the 2D Profiling Dud Detector helps keep production on-track.

### FEATURES:

Noncontact Laser or Proximity Sensor Measurement

Simple Setup, Universal Mounting To Any Conveyor

Operates Up to Four Rejectors, Supports Any Rejector

Results Tracking, Defect Sorting, PackML Compliant



The world's most trusted brands trust Silgan to be their Partner for Innovation

### Which To Use

#### 2D PROFILING DUD DETECTOR **LASER**

- METAL CAPS, BUTTON & NON-BUTTON
  - COMPOSITE CAPS
  - ON GLASS CONTAINERS
  - ON SELECT PLASTIC CONTAINERS
- 
- MEASURES PANEL DEFLECTION RESULTING FROM VACUUM IN PACKAGE
  - PROFILES IN HIGH DEFINITION
  - DETECTS MISSING, HIGH, AND SLANTED CAPS

#### 2D PROFILING DUD DETECTOR **PROX**

- METAL CAPS, BUTTON & NON-BUTTON
  - ON GLASS CONTAINERS
  - ON SELECT PLASTIC CONTAINERS
- 
- IMMUNE FROM WATER ON CAP SURFACE
  - MEASURES PANEL DEFLECTION RESULTING FROM VACUUM IN PACKAGE
  - DETECTS MISSING, HIGH, AND SLANTED CAPS

#### 2D-X2 DUAL PROFILING INSPECTION

- METAL CAPS, BUTTON & NON-BUTTON
  - PLASTIC CAPS
  - ON GLASS CONTAINERS
  - ON MANY PLASTIC CONTAINERS
- 
- ADVANCED TOOLS TO DETECT CHARACTERISTICS OF IMPROPERLY APPLIED PLASTIC CAPS
  - DUAL PROFILES IN HIGH DEFINITION
  - DETECTS MISSING, HIGH, AND SLANTED CAPS
  - DETECTS ASYMMETRIES
  - DETECTS IMPROPER APPLICATION TORQUES

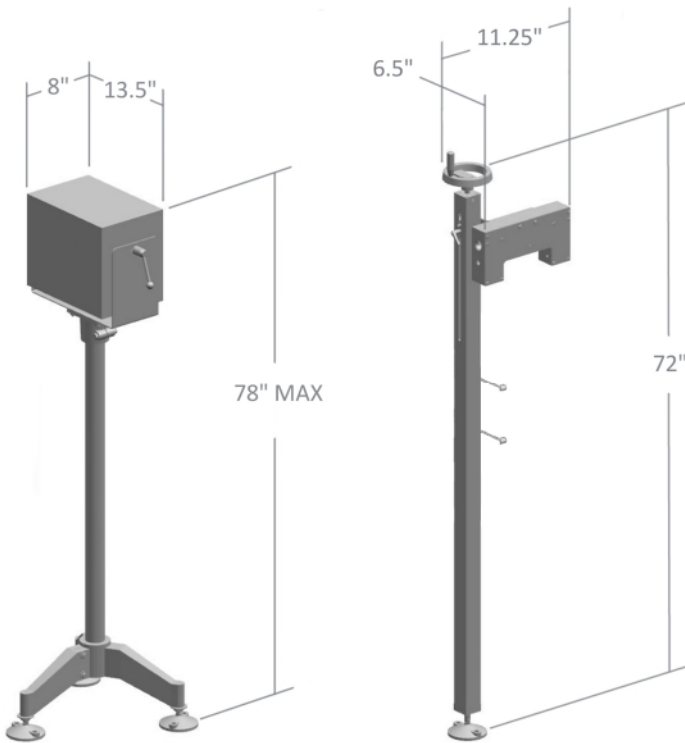
Want To Know More?



[sales@silganequipment.com](mailto:sales@silganequipment.com)

[www.silganequipment.com](http://www.silganequipment.com) | 847.336.0552 | 1301 W. DUGDALE RD, WAUKEGAN, IL 60085

# 2D SERIES PROFILING DUD DETECTOR TECHNICAL SPECIFICATIONS



Model	2D Profiling Dud Detector	
Max Inspection Speed	Up to 900 Containers Per Minute	
Closure Size	Ø30mm ~ Ø110mm	
Container Height	1-1/4" ~ 14"	
NEMA Rating	4X - Watertight (Wash-Down Environment)	
Electrical Requirements	100-240VAC, 50/60Hz. (Control Voltage 24VDC)	
Environment Temp.	50° ~ 100°F	
Space Required Control Unit	Height : 78	Inches
	Width : 13.5	Inches
	Depth : 8	Inches
Space Required Sensor Head	Height : 72	Inches
	Width : 6.5	Inches
	Depth : 11.25	Inches
Conveyor Space Required	< 10"	

**Choose From These Great Options:**

**Tap Touch 600 Rejector**

**Soft Touch 600 Rejector**

**Air Touch 600 Rejector**

## Why Choose Silgan Equipment?

- Silgan's expertise and leadership has served our customers for over 20 years with inspection solutions.
- Today, the Silgan Equipment business partners exceed their standards for quality and support world-wide. Many of the top food and beverage processors rely on us for their equipment needs.
- With full-service technicians located throughout the continental US, we stand by our products and help you get the best out of your operation.
- Silgan Equipment is a proud member of the Silgan family of companies. We deliver the best-in-class service you deserve. We know your packaging and can help you grow.

*LET US HELP TAKE YOUR BUSINESS TO THE NEXT LEVEL!*

## Capping

## Material Handling

## ★ Quality Inspection

## Rebuild & Engineering Services



Take Advantage of Silgan's Large U.S. Service Network

**To start improving your productivity, call: 847.336.0552**