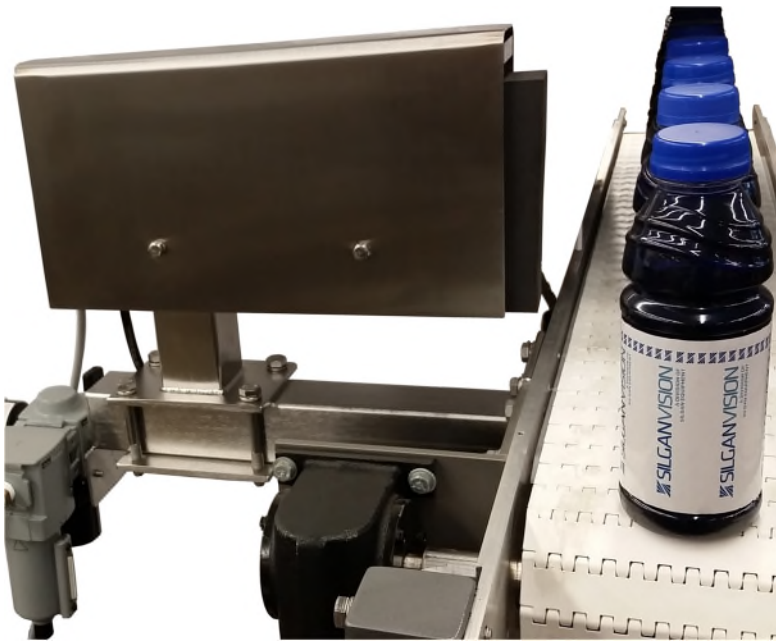




SILGAN
EQUIPMENT

TAP TOUCH 600 PARTS CATALOG

JUNE 2019



SILGAN EQUIPMENT

1301 DUGDALE ROAD

WAUKEGAN, IL 60085

877-205-3225

847-336-0562 FAX

WWW.SILGANEQUIPMENT.COM

TAP TOUCH 600 - TABLE OF CONTENTS



SECTION A MAIN ASSEMBLIES

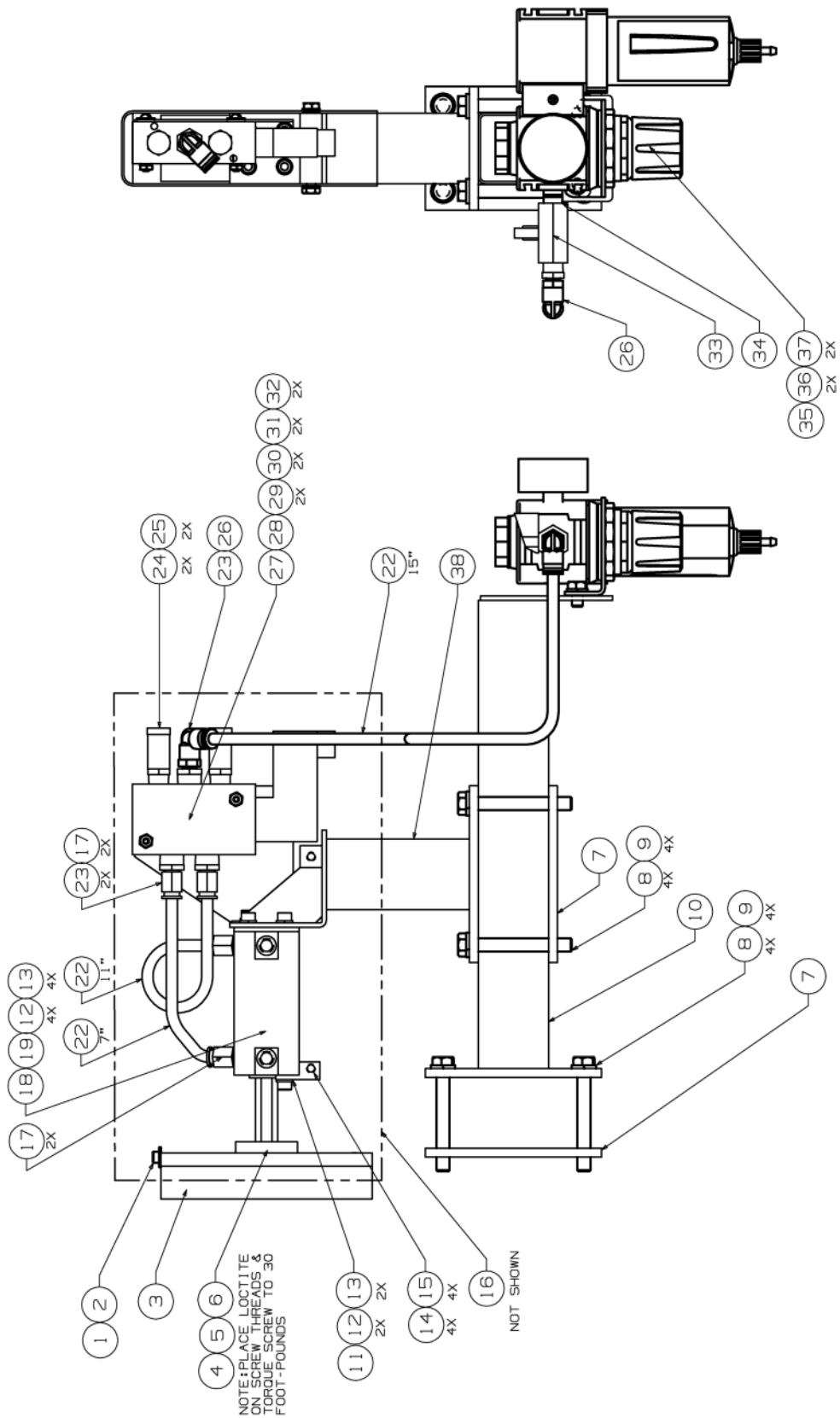
2. PARTS CATALOG



SECTION A MAIN ASSEMBLIES

Assembly Number	Description	Page Number
51RA10400	ASM-TAP TOUCH 600	1
51RA2731	ASM-BUMPER CARRIER	4
51RA10460	ASM-AIR CONTROL UNIT	5

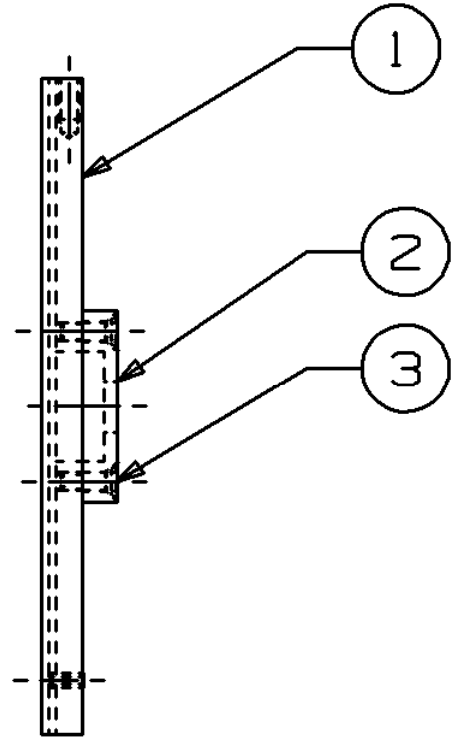
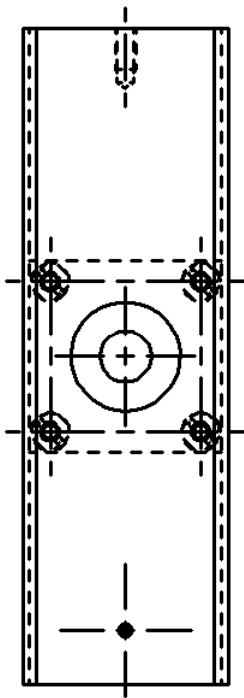
51RA10400 - ASM, TAP TOUCH 600



51RA10400 - ASM, TAP TOUCH 600

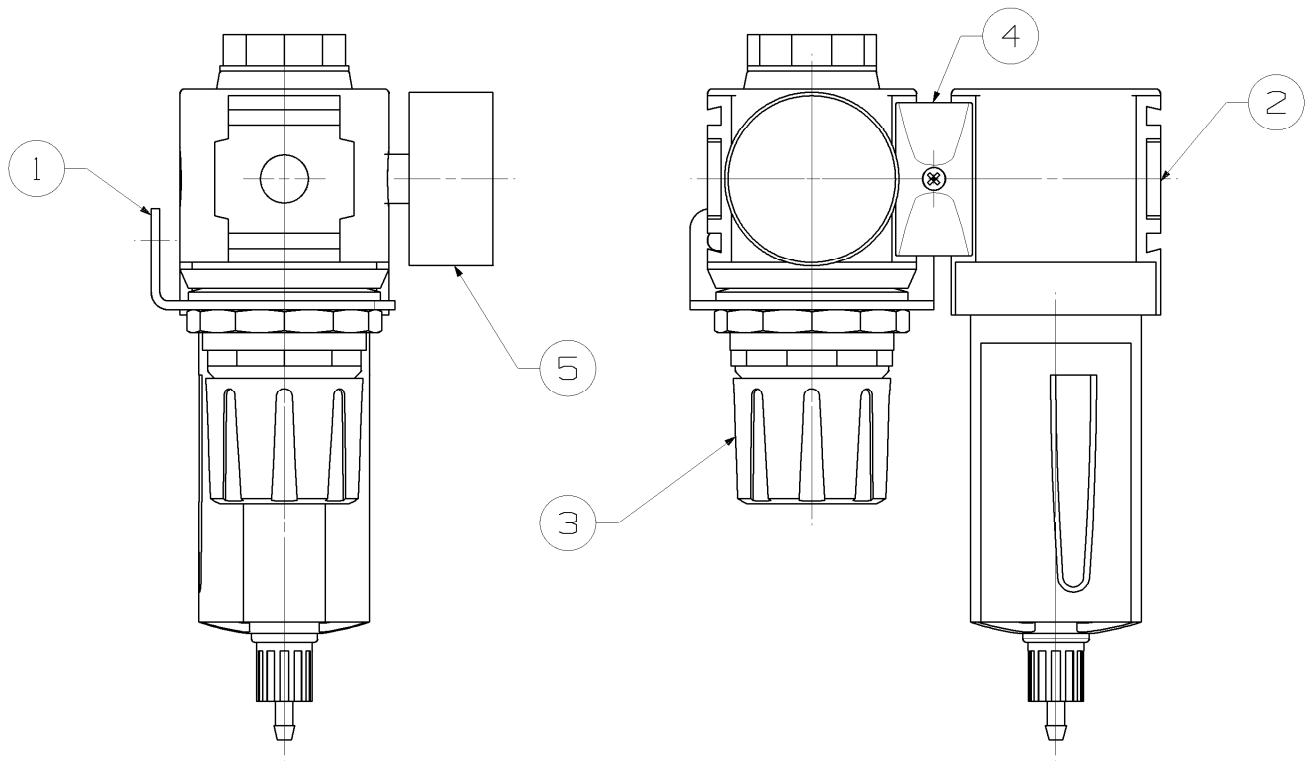
Item Number	Part Number	Quantity	Part Description
1	P895FS	1	#10-24 X 1/2LG SOCKET HEAD SCREW
2	P895FS	1	#10 SIZE FLATWASHER
3	51R2723D	1	BUMPER WITH PAD
4	51RA2731	1	ASM - BUMPER CARRIER
5	P895FS	1	7/16-20 X 1 LG HEX HEAD SCREW
6	P895FS	1	7/16 SIZE LOCKWASHER
7	51R2702	2	MOUNT- POST
8	P895FS	8	3/8-16 X 3 LG HEX HEAD SCREW
9	P895FS	8	3/8 SIZE LOCKWASHER
10	51R2701	1	POST-HORIZONTAL
11	51R10370	1	BRACKET-COVER MOUNTING
12	P895FS	6	M6 X 16 LG SOCKET HEAD SCREW
13	P895FS	6	M6 SIZE LOCKWASHER
14	P895FS	4	1/4-20 X 1/2 LG HEX HEAD SCREW
15	P895FS	4	1/4 SIZE LOCKWASHER
16	51R10394	1	COVER- EJECT ASSEMBLY
17	51R10375	4	FITTING-STRAIGHT TUBING
18	51R10376	1	CYLINDER-DOUBLE ACTION AIR
19	51R10374	1	STANDOFF-CYLINDER
22	427SP10	3	TUBING-PLASTIC
23	284SP3-8	3	BUSHING
24	284SP1-8	2	BUSHING
25	82002675	2	MUFFLER-AIR CYLINDER
26	654SP1	2	FITTING - MALE 90 DEGREE
27	51R1979	1	VALVE-SPRING ACTING SOLENOID
28	51R10372	1	BRACKET-VALVE
29	P895FS	2	#8-32 X 1 1/2 LG ROUND HEAD SCREW

51RA2731 - ASM, BUMPER CARRIER



Item Number	Part Number	Quantity	Part Description
1	51R2730	1	CARRIER - BUMPER
2	51R10368	1	FLANGE - CARRIER
			USE ONLY 300 SERIES STAINLESS STEEL FASTENERS
3		4	SCR, 8-32 X 1/2 FLT HD

51RA10460 - ASM, AIR CONTROL UNIT



Item Number	Part Number	Quantity	Part Description
1	51R10459	1	BRACKET - MOUNTING
2	51R10461	1	FILTER - AIR
3	51R10462	1	REGULATOR - AIR PRESSURE
4	51R10463	1	CONNECTOR - BODY
5	1203732	1	GAUGE