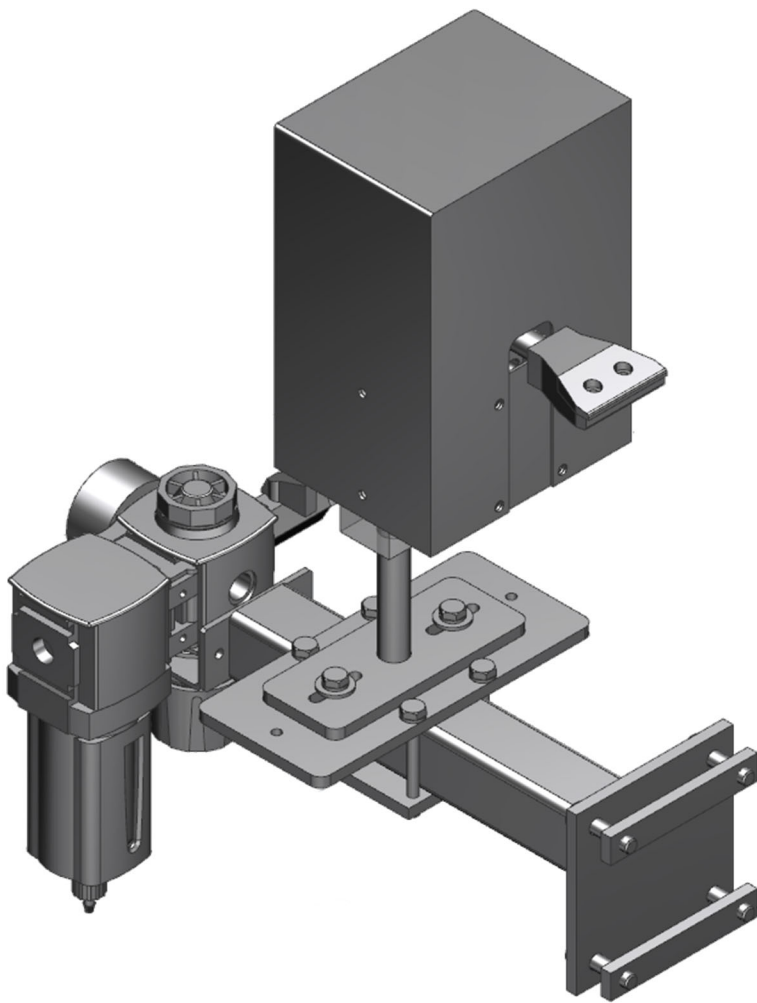




AIR TOUCH 600 DIVERTER PARTS CATALOG

NOVEMBER 2022



SILGAN EQUIPMENT

1301 DUGDALE ROAD

WAUKEGAN, IL 60085

847-336-0552

847-336-0562 FAX

WWW.SILGANEQUIPMENT.COM



SECTION A
MECHANICAL ASSEMBLIES

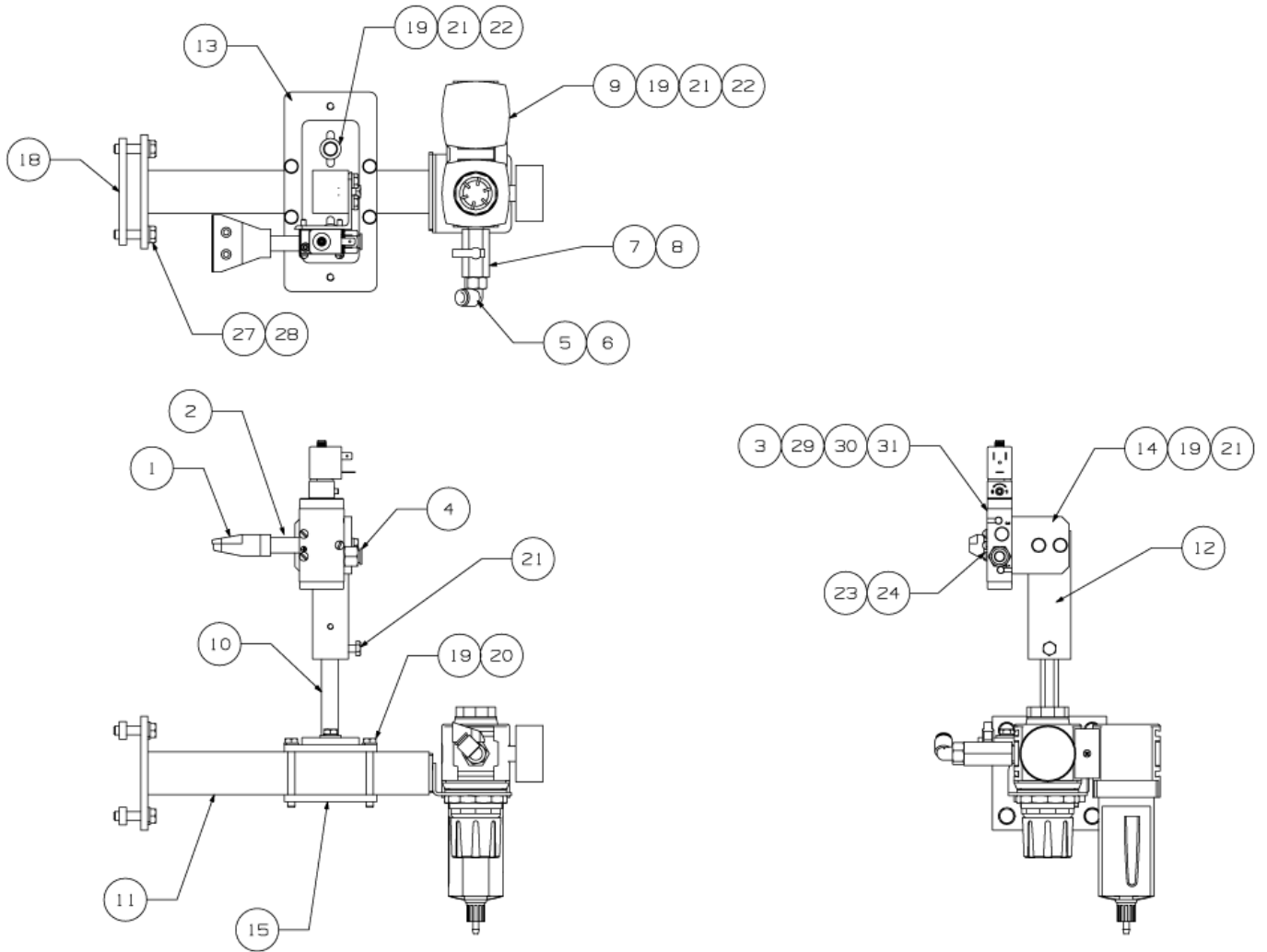


SECTION A

MECHANICAL ASSEMBLIES

Assembly Number	Description	Page Number
51RA11040	ASM, AIR DIVERTER	1

51RA11040 ASM, AIR DIVERTER



51RA11040 ASM, AIR DIVERTER

Item Number	Part Number	Part Description	Quantity
1	51R11101	NOZZLE- AIR, 2" FLAT	1
2	266SP3-8	NIPPLE	1
3	51R11102	VALVE- SOLENOID, 3/2 NC	1
4	51R11103	FITTING- PTC 3/8"	1
5	51R11104	ELBOW- PTC 3/8"	1
6	51R11107	TUBING- 3/8"	1.5 FT
7	20R22458	VALVE-RELIEF AIR PRESSURE SUPL	1
8	266SP2-8	NIPPLE-1/4 IRON PIPE SIZE	1
9	51RA10460	ASM-AIR CONTROL UNIT	1
10	51R11108	MOUNT- VERTICAL	1
11	51R11109	POST- HORIZONTAL	1
12	51R11110	BLOCK- ADJ MOUNT	1
13	51R11111	PLATE- LATERAL ADJ	1
14	51R11112	MOUNT- VALVE	1
15	51R11114	CLAMP- LATERAL MOUNT	1
16	51R11113	COVER- VALVE	1
17	51R11115D	PLATE- SHIELD	1
18	51R10973	BLOCK- POST MOUNT	2
29	51R11118	CONNECTOR- 22MM RECTANGULAR	1
30	51R11119	BREATHER - 1/8NPT VENT	2
31	51R11120	BREATHER - 1/4NPT VENT	1
		UNLESS NOTED, USE 300 SERIES SS FASTENERS.	
19		WSHR, 1/4 LOCK SS	10
20		SCR, 1/4-20 X 2-1/4	4
21		SCR, 1/4-20 X 5/8	7
22		WSHR, 1/4 SS	4
23		WSHR, #8 LOCK SS	3

