

ME-5 Magnetic Cap Elevator

The Silgan model ME-5 Hopper is designed for reliable medium-to-high speed cap delivery. These cap feed systems are ideal for line speeds up to 300 caps per minute. The fundamental concept of this hopper is the magnetic elevator.

FEATURES:

Stainless Steel

Noise Reduction, Optional Remote Location

Vulcanized Magnetic Belt delivers metal closures

Frequency Control for Line Speed Adjustment



The world's most trusted brands trust Silgan to be their Partner for Innovation



WHY CHOOSE THE ME-5?

Efficient: ME-5 ensures your closures will be delivered at the right moment and at the correct orientation

Durable: All stainless steel construction for easy cleaning and maintenance

Operator Safety: Easy access to all parts

Easy to Use: Simple setup adjustment and control

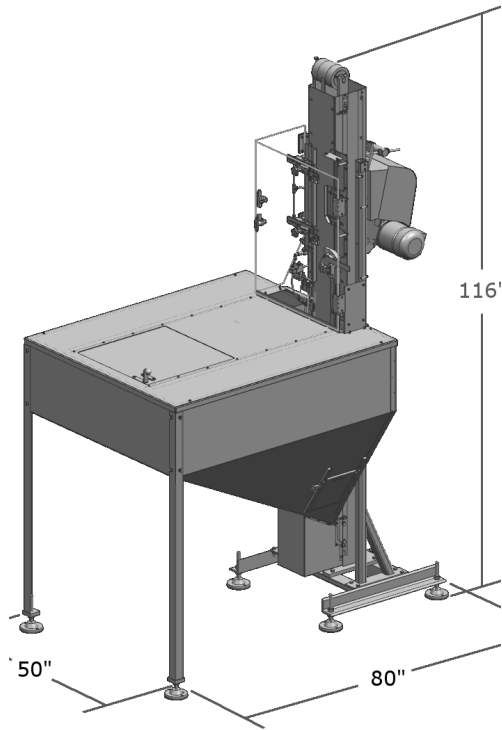
No Hassle: Fully supported by Silgan Equipment capping experts

Want To Know More?



sales@silganequipment.com

ME-5 HOPPER TECHNICAL SPECIFICATIONS



Model	ME-5 Hopper
Cap Diameters	Ø30mm - Ø110mm
Line Speed	30-48mm: 550-600cpm 53-63mm: 400-450cpm 70mm: 350-400cpm 82mm: 300-350cpm 89mm: 200-250cpm 110mm: 80-100cpm
Bin Capacity Compressed Air	45 cu/ft (approximate) 90 PSI minimum
Electrical Requirements	480VAC 3 Phase or 230VAC 3 Phase (Control Voltage 24VDC)
Environment Temp.	50° ~ 100°F
Space Required	Height : 116 Inches Width : 50 Inches Depth : 80 Inches

**Choose From
These Great Options:**

Controlled Air Conveyors

Column Extension

Chute Works

Why Choose Silgan Equipment?

- Silgan's expertise and leadership has served our customers for over 80 years with closure and equipment solutions.
- Today Silgan Equipment business partners exceed their standards for quality and support world-wide. Many of the top food and beverage processors rely on us for their equipment needs.
- With our 24/7 support line and full-service technicians located throughout the continental US, we stand by our products and help you get the best out of your operation.
- Silgan Equipment is a proud member of the Silgan family of companies. We deliver the best-in-class service you deserve. We know your packaging and can help you grow.

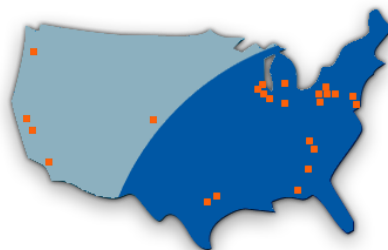
LET US HELP TAKE YOUR BUSINESS TO THE NEXT LEVEL!

Capping

★ **Material Handling**

Quality Inspection

Rebuild & Engineering Services



**Take Advantage of
Silgan's Large U.S.
Service Network**

To start improving your productivity, call: 847.336.0552